



Ex-KFF30*CH-J-E ATEX 30W LED Spot

Protection mode:

Type of protection: II 2GD Ex d IIC T5-T4 Gb
Ex tb IIIC T95°-T130°C Db IP66
Class of temperature: T5-T4
Protection degree: IP66
Ambient Temp : -40/+55°C
Zones : 1-2-21-22



Description:

Energy saving. Reduce the number of luminaires you need, providing excellent luminaires efficiency-more light where you need it. Anti-glare, reduces glare in applications where the user may have direct visual contact with the light source. Shock- and vibration-resistant- tempered glass, reduces the risk of premature failure. Osram led source. High efficiency lumen output and high CRI.

Applications :

Oil & Gas
Solar apps

Reference

Ex	KFF	XX	X	XX	X	X
Type	Series	Power	Input voltage	CCT	Wiring chamber	Areas
<i>Ex proof</i>	<i>LED Spot</i>	<i>30W</i>	<i>A : 100-277VAC B : 10-30VDC</i>	<i>CH - Cool white</i>	<i>J - Junction box</i>	<i>E</i>

Electrical parameters

Reference	Rated input voltage	Rated input current (A)	Voltage frequency (Hz)	Rated power (W)	Input current (mA)	PF
Ex-KFF30ACH-J-E	100-277 AC	0,31 – 0,11	50/60	30	500	>0,98
Ex-KFF30BCH-J-E	10-30V DC	3,15 – 1,05	/	30	500	>0,98

Photometric parameters

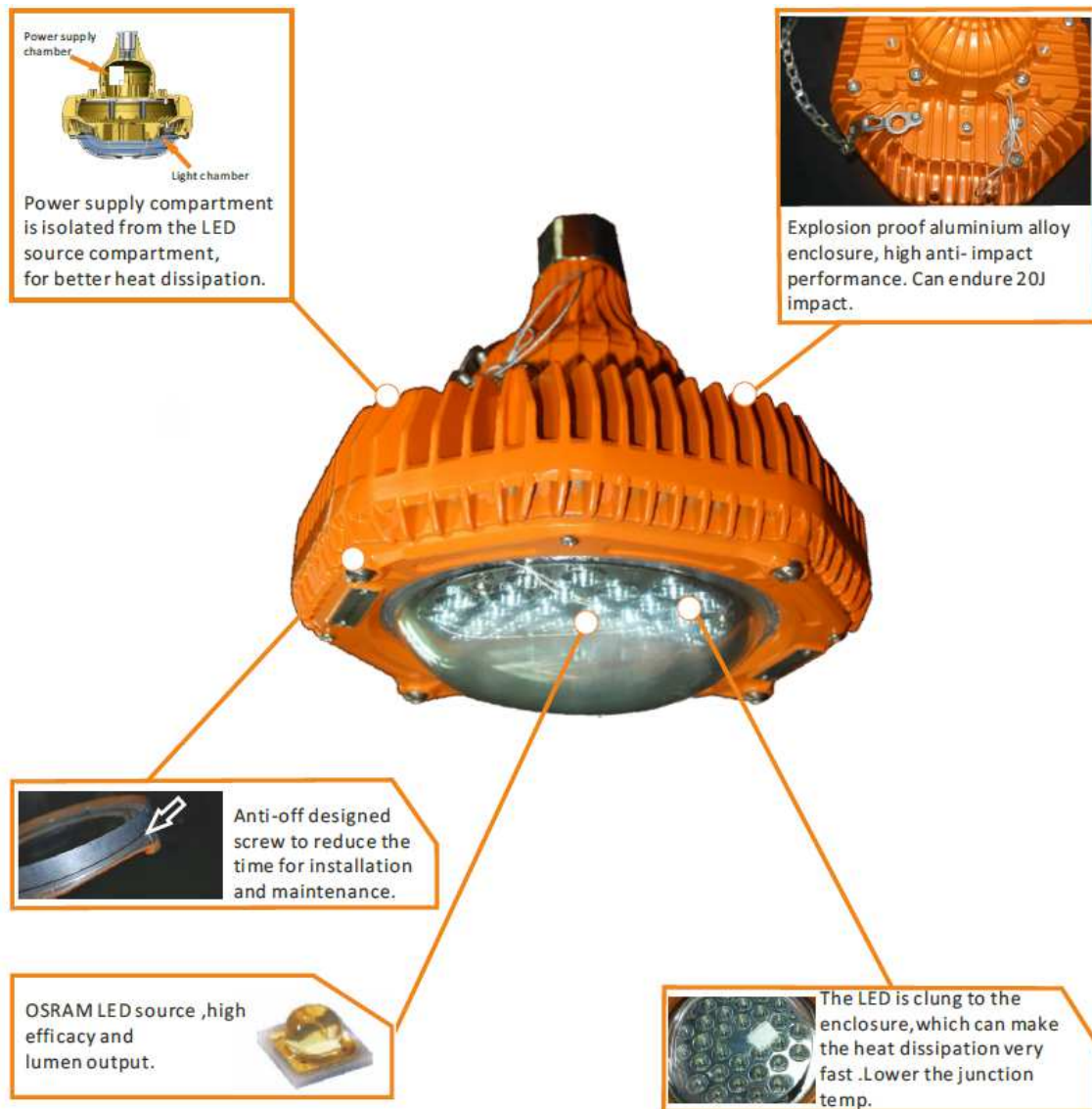
Reference	TEMP	CCT (K)	CRI	Luminous flux (lm)	Candela distribution
Ex-KFF30*CH-J-E	Cool white	5400-6400	70	4095	C

Other parameters



Reference	Size (mm)	Weight (Kg)	Amb Temp	Max surface Temp (tested in 25C°)	Protection degree	Insulation
Ex-KFF30*CH-J-E	220x200	3.3	-40 / +55°C	74	IP66	I



Ex-KFF30*CH-J-E ATEX 30W LED Spot



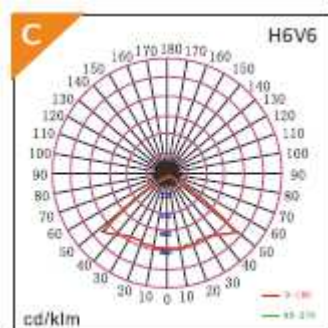
Accessories

NO.	Installation accessories	Part No.	Picture	Material	Weight (Kg)	QTY	Remarks
1	Bracket	BR-FF-O		Q235	0.24	1	Ceiling mount
7	0° Pole mount bracket	SBT2-FF-O-0-*		ADC12	1.6	1	Pole mount



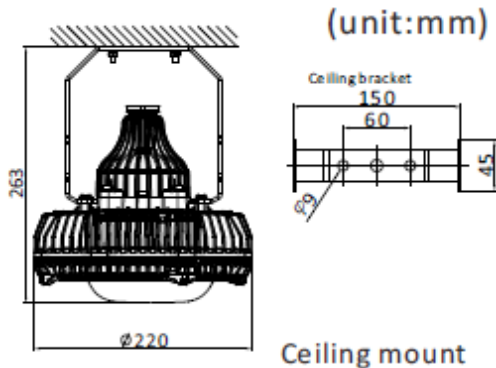
Ex-KFF30*CH-J-E ATEX 30W LED Spot

Standard type

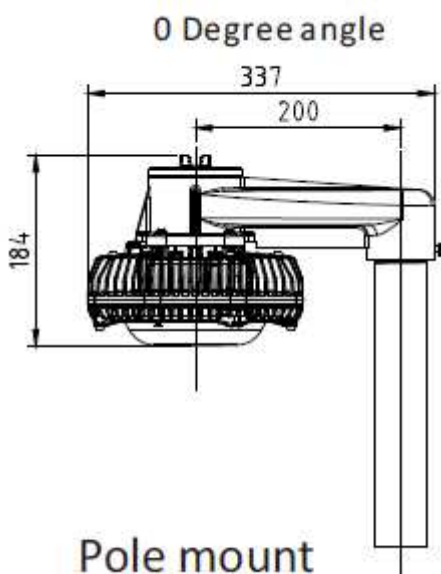


Others type on request

Ceiling mounting



Option pole mounting



0° Pole mount bracket

